



**PERFORMANCE DATA SHEET
NEMA PREMIUM NR CAN NEMA 12 - 12**

Catalogue #: JMQP-47

| HP | kW | Voltage | S.F. @ 60Hz | EFF. | P.F. | Frame | Design | L.R. Amps |
|----|-------|---------|-------------|-------|------|-------|--------|-----------|
| 25 | 18,65 | 230/460 | 1,25 | 93,6% | 0,84 | 284JM | B | 182 |

| 60 Hz | | | | | | | | Code | F.L. RPM |
|-------|-----|-----|-------|-----|-----|-----|--|------|----------|
| 208 | 230 | 416 | 460 | 480 | 575 | 600 | | | |
| / | 60 | / | 30,00 | / | / | | | G | 1775 |

| 50 Hz | | | | | | | | |
|-------|-----|-----|-------------|------------|--------------|------|----------|--|
| FLA | | | S.F. @ 50Hz | Efficiency | Power Factor | Code | F.L. RPM | |
| 190 | 380 | 415 | | | | | | |
| 72,0 | 36 | | 1,00 | 92,3% | 0,860 | F | 1465 | |

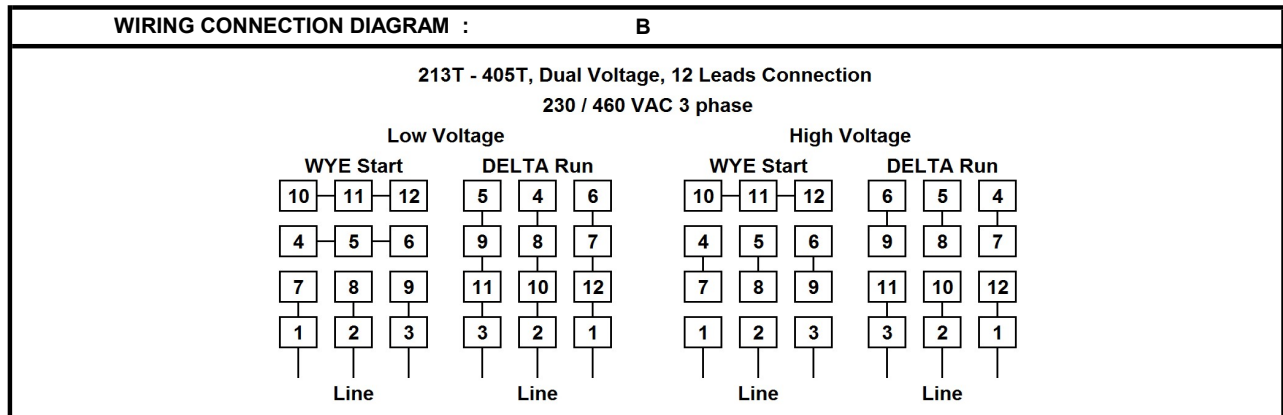
| Wgt. Lbs | PH | Duty | Insul. Class | Amb. | Elevation | Temp. Rise° C |
|----------|----|-------|--------------|------|------------------|---------------|
| 392 | 3 | Cont. | F | 40°C | 1000M (3,300 Ft) | 42 |

| % Efficiency | | % Power Factor | | Torque | | Winding Resist. Ω | Safe Cold Start (Secs) |
|--------------|-------|----------------|------|------------------|------|-------------------|------------------------|
| Full Load: | 93,6% | Full Load: | 0,84 | Full Load Ft/Lbs | 74,0 | | |
| 3/4 Load: | 94,4% | 3/4 Load: | 0,81 | Locked Rotor % | 180 | | |
| 1/2 Load: | 94,3% | 1/2 Load: | 0,72 | Break Down % | 260 | 0,37 | 20 |

| Rotor Inertia Wk2 Lb-Ft2 | Max Load Inertia Wk2 Lb-Ft2 | Shaft Material | Frame Material | DE Bracket Type | ODE Bracket Type | Enclosure | NEMA Rating | Lead Wire Size |
|--------------------------|-----------------------------|----------------|----------------|-----------------|------------------|-----------|-------------|----------------|
| 3,80 | 180 | 1045 | Cast Iron | Cast Iron | Cast Iron | TEFC | IP55 | 10AWG |

| Ball Bearings | | Grease | Mount Type | Orientation | Paint | Sound Pressure @ 3FT | Sound Power |
|---------------|------|-----------------|------------|-------------|---------|----------------------|-------------|
| DE | ODE | | | | | | |
| 6311 | 6311 | Mobil PolyrexEm | Rigid | Horizontal | RAL6022 | 77 | 88 |

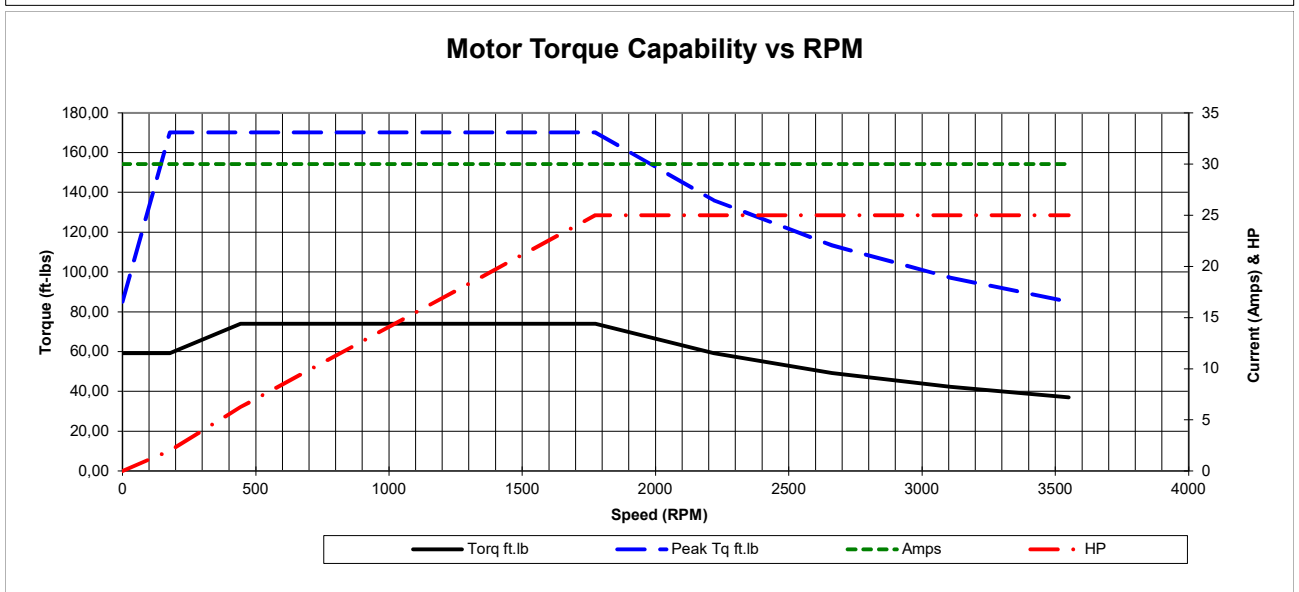
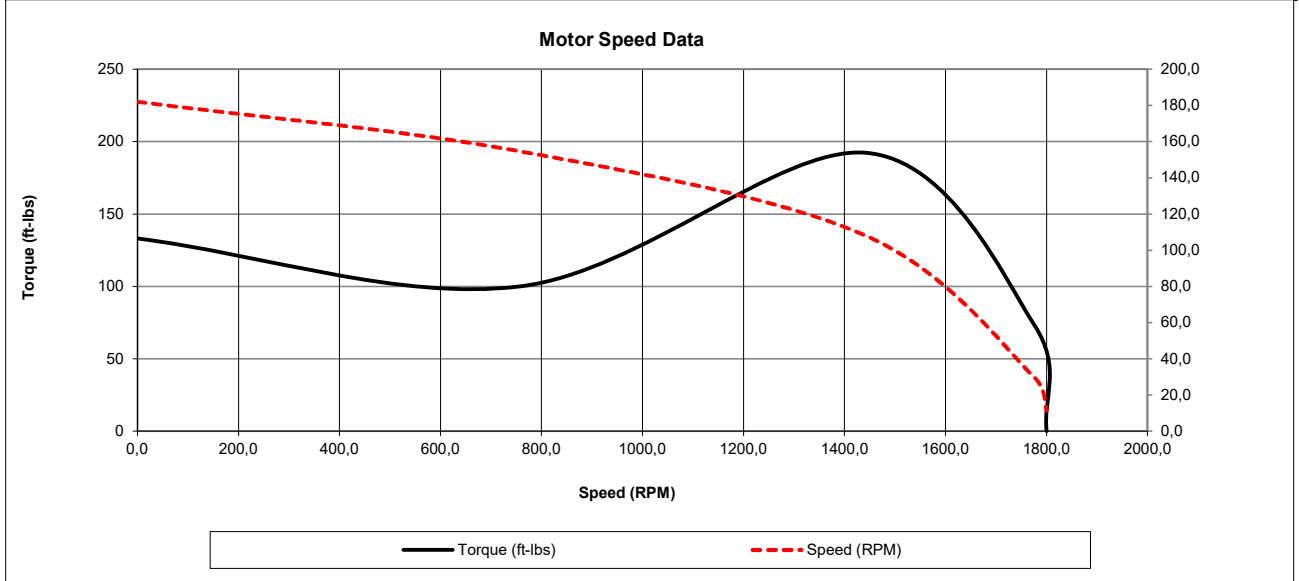
| Inverter Duty, Motor meets MG1 parts 31.4.4.2 | VFD SF | Constant Torque Range | Variable Torque Range | Constant HP RPM |
|---|--------|-----------------------|-----------------------|-----------------|
| | 1,00 | 10:1 | 20:1 | 2700 |



Date: 2023-12-13
 Customer: _____
 Contact: _____
 Submittee: J.C. Lavallée

Catalogue #: **JMQP-47**

| NEMA PREMIUM NR CAN NEMA 12 - 12 | | | | | | | | | | |
|----------------------------------|--------------|---------|-----------|------------|-----------|--------------------------------------|---------|----------------|------------------|---------------|
| HP | VAC | RPM | Enclosure | Frame | Frequency | Design | Poles | LR Code Letter | Insulation Class | Temp. Rise °C |
| 25 | 460 | 1775 | TEFC | 284JM | 60 Hz | B | 4 | G | F | 42 |
| | 0Hz | 6Hz | 15Hz | 30Hz | 45Hz | 60 Hz | 75Hz | 90Hz | 105Hz | 120Hz |
| Amps | 30 | 30 | 30 | 30 | 30 | 30 | 30 | 30 | 30 | 30 |
| RPM | 0 | 177,5 | 443,75 | 887,5 | 1331,25 | 1775 | 2218,75 | 2662,5 | 3106,25 | 3550 |
| Torq ft.lb | 59,18 | 59,18 | 73,97 | 73,97 | 73,97 | 73,97 | 59,18 | 49,31 | 42,27 | 36,99 |
| Peak Tq ft.lb | 85,07 | 170,14 | 170,14 | 170,14 | 170,14 | 170,14 | 136,11 | 113,42 | 97,22 | 85,07 |
| HP | 0 | 2,0 | 6,3 | 12,5 | 18,8 | 25,0 | 25,0 | 25,0 | 25,0 | 25,0 |
| | Locked Rotor | Pull-Up | Breakdown | Rated Load | Idle | Duty | S. F. | Ambient | Elevation | dBA @ 1M |
| Speed (RPM) | 0,0 | 756 | 1440 | 1775 | 1800 | Continuous | 1,25 | 40°C | 3,300 ft | 77 |
| Current (Amps) | 182,0 | 154,7 | 108,3 | 30,0 | 11,4 | VFD Rating: Meets MG1 parts 31.4.4.2 | | | | |
| Torque (ft-lbs) | 133,1 | 99,9 | 192,3 | 74,0 | 0,0 | C.T. | 10:1 | V.T. | 20:1 | VFD SF 1.00 |

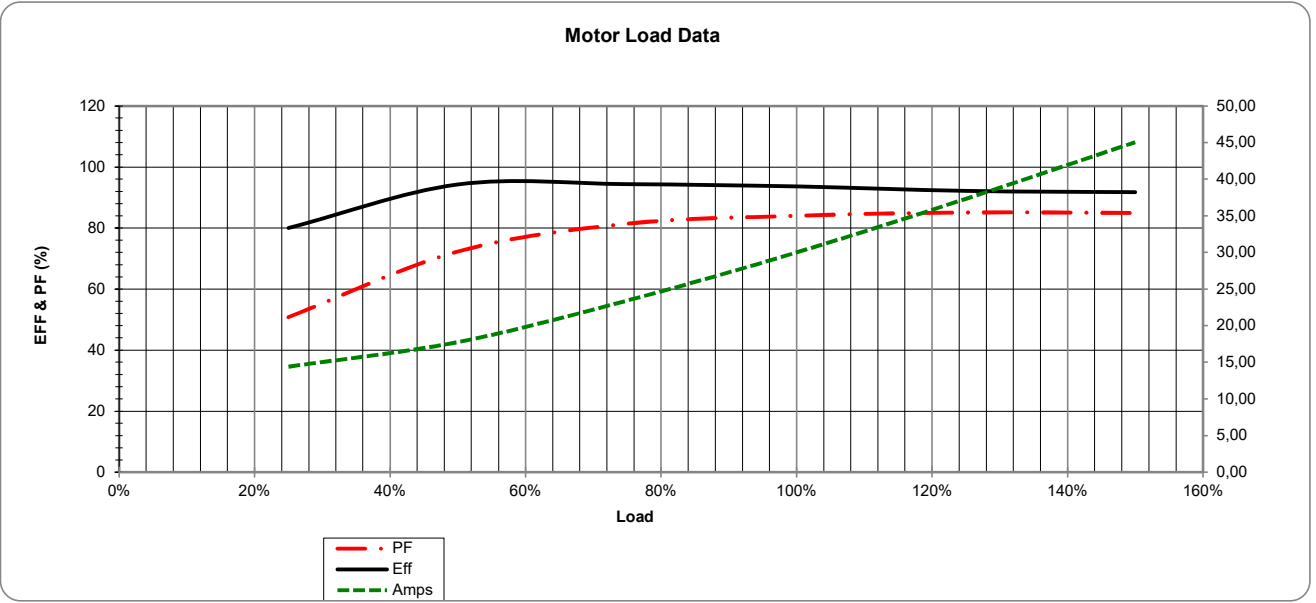
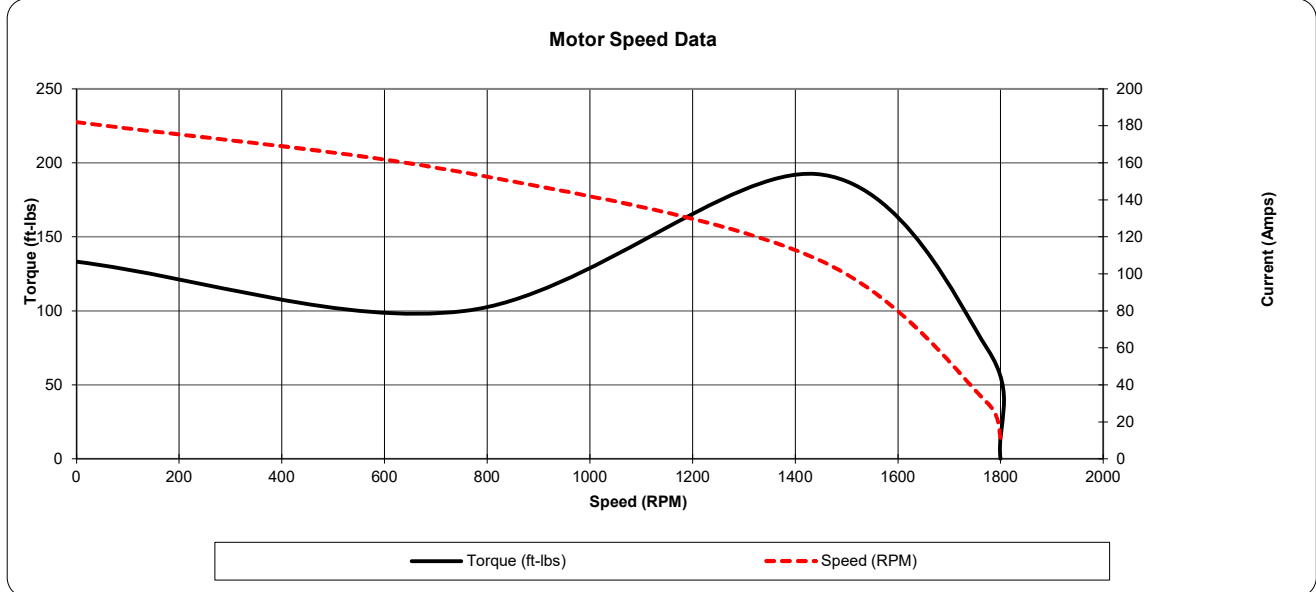


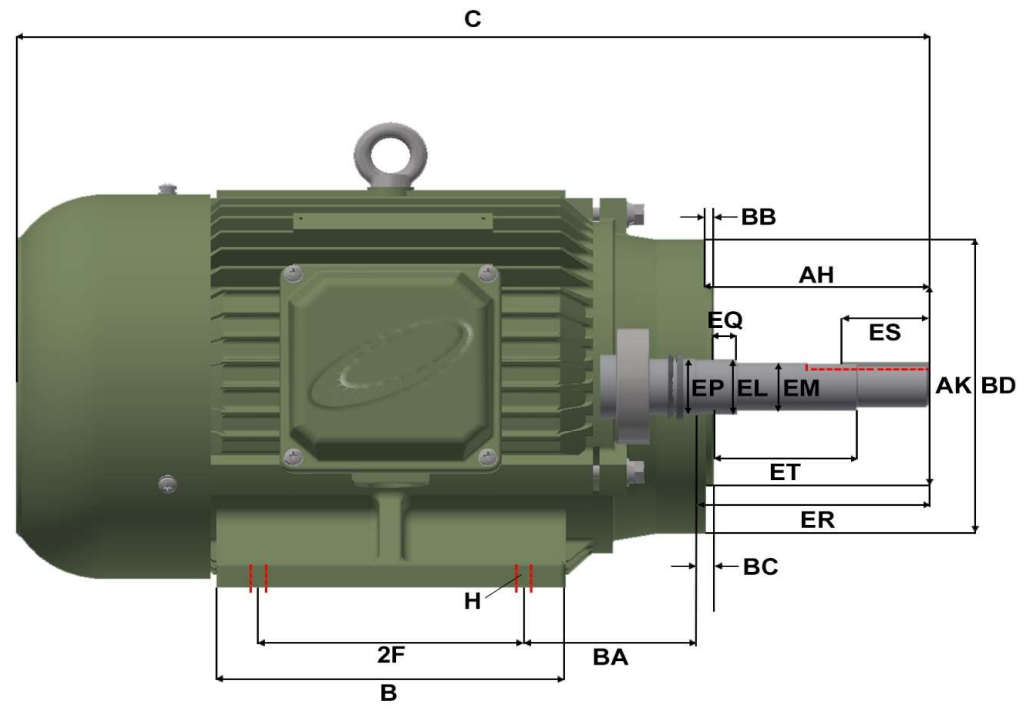
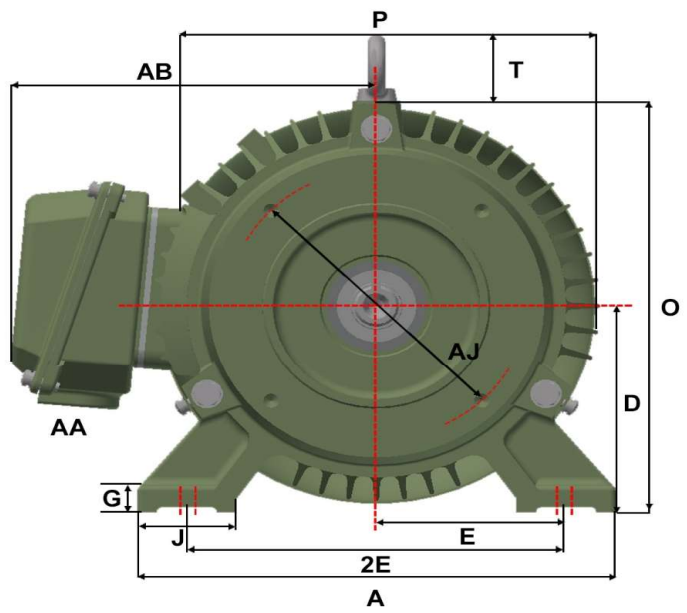
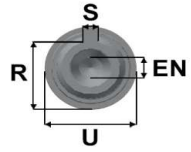


Date: 2023-12-13
 Customer: _____
 Contact: _____
 Submittee: J.C. Lavallée

Catalogue #: **JMQP-47**

| NEMA PREMIUM NR CAN NEMA 12 - 12 | | | | | | | | | | |
|----------------------------------|--------------|---------|-----------|------------|-----------|--------------------------------------|--------|----------------|------------------|---------------|
| HP | VAC | RPM | Enclosure | Frame | Frequency | Design | Poles | LR Code Letter | Insulation Class | Temp. Rise °C |
| 25 | 460 | 1775 | TEFC | 284JM | 60 Hz | B | 4 | G | F | 42 |
| Load % | 0% | 25% | 50% | 75% | 100% | 125% | 150% | | | |
| Amps | 11,40 | 14,40 | 17,76 | 23,43 | 30,00 | 37,32 | 45,06 | | | |
| Torq ft/lbs | 0 | 18,30 | 36,73 | 55,28 | 73,97 | 92,79 | 111,74 | | | |
| RPM | 0 | 1793,75 | 1787,5 | 1781,25 | 1775 | 1768,75 | 1762,5 | | | |
| Eff | 0 | 80,00 | 94,30 | 94,40 | 93,60 | 92,13 | 91,77 | | | |
| PF | 0 | 50,8 | 72,3 | 81,4 | 84 | 85,092 | 84,924 | | | |
| | Locked Rotor | Pull-Up | Breakdown | Rated Load | Idle | Duty | S. F. | Ambient | Elevation | dBA @ 1M |
| Speed (RPM) | 0 | 756 | 1440 | 1775 | 1800 | Continuous | 1,25 | 40°C | 3,300 ft | 77 |
| Current (Amps) | 182 | 154,7 | 108,3 | 30 | 11,4 | VFD Rating: Meets MG1 parts 31.4.4.2 | | | | |
| Torque (ft-lbs) | 133,15 | 99,86 | 192,33 | 73,97 | 0,0 | C.T. | 10:1 | V.T. | 20:1 | VFD SF 1.00 |





| | | | | | | | | | | | | | |
|---|-------|---------------------|-------------|-------|-------------|-------|---------------|--------------|-------------|-------|-------|-------------|---------------|
| Version: 2WTI | | Revised: 26-01-2023 | | HP | RPM | FRAME | ENCLOSURE | JMPP/JMQP-47 | | | | | |
| Customer is responsible in determining that MEP product will fit/perform suitably in the intended application | | | | 25 | 1800 | 284JM | TEFC | | | | | | |
| A | B | C | D | E | 2E | 2F | G | H | J | O | P | R | |
| 14.00 | 13.20 | 27.47 | 7.00 | 5.50 | 11.00 | 9.50 | 0.85 | 0.53 | 2.75 | 14.50 | 14.00 | 1.112-1.097 | |
| S | T | U | AA | AB | AH | AJ | AK | BA | BB | BC | BD | EL | EM |
| 0.252-0.250 | 2.20 | 1.2495-1.2490 | 1.50 | 11.30 | 5.25 | 11.00 | 12.500-12.495 | 4.75 | 0.312-0.250 | 0.25 | 14.00 | 1.750-1.748 | 1.3750-1.3745 |
| EN | EP | EQ | ER | ES | ET | | | | | | | | |
| 1/2-13 | 2.16 | 0.640-0.610 | 5.281-5.219 | 2.53 | 3.020-2.980 | | | | | | | | |

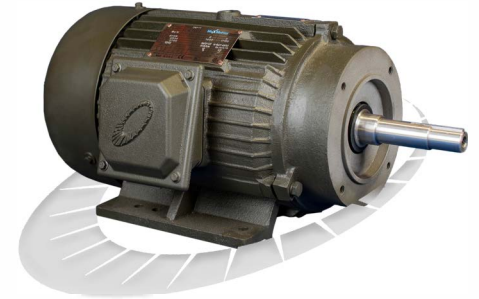
PREMIUM DESIGN B NEMA 12-12

CLOSE COUPLED PUMP MOTORS JM STYLE | CAST IRON
CONSTRUCTION RIGID BASE TEFC TOTALLY ENCLOSED FAN COOLED

MaxMotion

Applications:

Close coupled pumps when the pump impeller is required to be mounted directly on the motor shaft in damp and dirty environments, and operating directly across the line or from a variable frequency inverter.



Features:

Design - NEMA standard MG-1, Design B meets MG-1 Part 31

Agency listings and standard - NEMA, IEEE, CSA, CSAus, IEC, CE, NRCan

Service Factor - 1.25 SF 1HP to 50HP

Electrical Supply - At 60Hz: 575V and 230/460V dual rated and at 50Hz: 190/380,

Windings - Highest quality Enamel coated Corona resistant inverter duty magnet wire. VPI with additional dip and bake.

Insulation - Non hygroscopic class F with class B temperature rise

Voltage and frequency variation - +/- 10% Voltage (-5% @208V & 416V, and +5% @480V) and +/- 5% frequency.

Bearings - 143JM to 215JM are double sealed with grease, 254JM to 326JM are regreasable with brass grease nipples and retaining bearing caps.

Bearing lubricant - Frame 143JM to 215JM is lithium grease, -30 Deg C to 110 Deg C ambient and Frame 254JM+ are long life mobile Polyrex EM, -29 Deg C to 177 Deg C.

Enclosure Protection - Totally Enclosed Fan Cooled meeting IEC standard IP55. CSA Certified Division 2 Class I Groups A, B, C, D Class II Groups F, G. Meets Temp Code T2B.

Mounting - F1 Standard Assembly, Reversible to F2 Assembly

Conduit Box - Oversize cast iron, diagonally split. Can be rotated in 90 Deg steps. Lead separator gasket to seal conduit box from frame and gasketed cover. Grounding terminal inside conduit box and threaded conduit entry.

Inverter duty - Suitable for inverter application at 230V, 460V, 575V for speed ranges of 10:1 constant torque and 20:1 variable torque.

Nameplate - Corrosion resistant stainless steel showing all data connection diagrams and certifications

Drain plugs - Located at the lowest point of motor at both ends.

Warranty - 3 years



PREMIUM DESIGN B NEMA 12-12

CLOSE COUPLED PUMP MOTORS JM STYLE | CAST IRON

CONSTRUCTION RIGID BASE TEFC TOTALLY ENCLOSED FAN COOLED



| HP | FL RPM | VOLTS | FRAME | CAT NO. | CONSTRUCTION | NOM EFF. | F.L. AMPS | CODE | WT (Lbs) | DE BRG | ODE BRG | "C" Dimension (Inch) |
|-------|--------|---------|-------|----------|--------------|----------|-----------|------|----------|--------|---------|----------------------|
| 1 | 1745 | 230/460 | 143JM | JMQP-2 | CAST IRON | 85.5 | 3/1.5 | M | 47 | 6206 | 6205 | 16.23 |
| | 1745 | 575 | 143JM | JMPP-2 | CAST IRON | 85.5 | 1.2 | M | 47 | 6206 | 6205 | 16.23 |
| | 1160 | 230/460 | 145JM | JMQP-3 | CAST IRON | 82.5 | 3.7/1.85 | M | 52 | 6205 | 6205 | 17.23 |
| | 1160 | 575 | 145JM | JMPP-3 | CAST IRON | 82.5 | 1.45 | M | 52 | 6205 | 6205 | 17.23 |
| 1 1/2 | 1750 | 230/460 | 145JM | JMQP-7 | CAST IRON | 86.5 | 4.6/2.3 | M | 55 | 6206 | 6205 | 17.23 |
| | 1750 | 575 | 145JM | JMPP-7 | CAST IRON | 86.5 | 1.9 | M | 55 | 6206 | 6205 | 17.23 |
| | 1175 | 230/460 | 182JM | JMQP-8 | CAST IRON | 87.5 | 4.8/2.4 | M | 95 | 6306 | 6306 | 18.48 |
| | 1175 | 575 | 182JM | JMPP-8 | CAST IRON | 87.5 | 1.9 | M | 95 | 6306 | 6306 | 18.48 |
| 2 | 3510 | 230/460 | 145JM | JMQP-11 | CAST IRON | 85.5 | 5.3/2.65 | L | 52 | 6206 | 6205 | 17.23 |
| | 3510 | 575 | 145JM | JMPP-11 | CAST IRON | 85.5 | 2.05 | L | 52 | 6206 | 6205 | 17.23 |
| | 1745 | 230/460 | 145JM | JMQP-12 | CAST IRON | 86.5 | 6/3 | L | 56 | 6206 | 6205 | 17.23 |
| | 1745 | 575 | 145JM | JMPP-12 | CAST IRON | 96.5 | 2.4 | L | 56 | 6206 | 6205 | 17.23 |
| | 1180 | 230/460 | 184JM | JMQP-13 | CAST IRON | 88.5 | 6/3 | L | 103 | 6306 | 6306 | 19.48 |
| | 1180 | 575 | 184JM | JMPP-13 | CAST IRON | 88.5 | 2.4 | L | 103 | 6306 | 6306 | 19.48 |
| 3 | 3470 | 230/460 | 145JM | JMQP-16S | CAST IRON | 86.5 | 8/4 | K | 90 | 6308 | 6306 | 17.23 |
| | 3470 | 575 | 145JM | JMPP-16S | CAST IRON | 86.5 | 3.2 | K | 90 | 6308 | 6306 | 17.23 |
| | 3520 | 230/460 | 182JM | JMQP-16 | CAST IRON | 86.5 | 7.6/3.8 | K | 95 | 6308 | 6306 | 18.48 |
| | 3520 | 575 | 182JM | JMPP-16 | CAST IRON | 86.5 | 3 | K | 95 | 6308 | 6306 | 18.48 |
| | 1760 | 230/460 | 182JM | JMQP-17 | CAST IRON | 89.5 | 7.6/3.8 | K | 97 | 6208 | 6306 | 18.48 |
| | 1760 | 575 | 182JM | JMPP-17 | CAST IRON | 89.5 | 3 | K | 97 | 6208 | 6306 | 18.48 |
| | 1185 | 230/460 | 213JM | JMQP-18 | CAST IRON | 89.5 | 8.4/4.2 | K | 136 | 6308 | 6308 | 20.78 |
| | 1185 | 575 | 213JM | JMPP-18 | CAST IRON | 89.5 | 3.4 | K | 136 | 6308 | 6308 | 20.78 |
| 5 | 3515 | 230/460 | 184JM | JMQP-21 | CAST IRON | 88.5 | 11.6/5.8 | J | 110 | 6208 | 6306 | 19.48 |
| | 3515 | 575 | 184JM | JMPP-21 | CAST IRON | 88.5 | 4.6 | J | 110 | 6208 | 6306 | 19.48 |
| | 1755 | 230/460 | 184JM | JMQP-22 | CAST IRON | 89.5 | 13.6/6.8 | J | 112 | 6208 | 6306 | 19.48 |
| | 1755 | 575 | 184JM | JMPP-22 | CAST IRON | 89.5 | 5.4 | J | 112 | 6208 | 6306 | 19.48 |
| | 1180 | 230/460 | 215JM | JMQP-23 | CAST IRON | 89.5 | 14.2/7.1 | J | 162 | 6308 | 6308 | 22.28 |
| | 1180 | 575 | 215JM | JMPP-23 | CAST IRON | 89.5 | 5.68 | J | 162 | 6308 | 6308 | 22.28 |
| 7.5 | 3505 | 230/460 | 184JM | JMQP-26S | CAST IRON | 89.5 | 17.6/8.8 | H | 134 | 6208 | 6306 | 19.48 |
| | 3505 | 575 | 184JM | JMPP-26S | CAST IRON | 89.5 | 7 | H | 134 | 6208 | 6306 | 19.48 |
| | 3530 | 230/460 | 213JM | JMQP-26 | CAST IRON | 89.5 | 17.6/8.5 | H | 145 | 6309 | 6308 | 20.78 |
| | 3530 | 575 | 213JM | JMPP-26 | CAST IRON | 89.5 | 7 | H | 145 | 6309 | 6308 | 20.78 |
| | 1770 | 230/460 | 213JM | JMQP-27 | CAST IRON | 91.7 | 18.4/9.2 | H | 150 | 6309 | 6308 | 20.78 |
| | 1770 | 575 | 213JM | JMPP-27 | CAST IRON | 91.7 | 7.4 | H | 150 | 6309 | 6308 | 20.78 |
| | 1185 | 230/460 | 254JM | JMQP-28 | CAST IRON | 91 | 19.6/9.5 | H | 272 | 6309 | 6309 | 24.7 |
| | 1185 | 575 | 254JM | JMPP-28 | CAST IRON | 91 | 7.8 | H | 272 | 6309 | 6309 | 24.7 |
| 10 | 3525 | 230/460 | 215JM | JMQP-31 | CAST IRON | 90.2 | 22.8/11.4 | H | 167 | 6309 | 6308 | 22.28 |
| | 3525 | 575 | 215JM | JMPP-31 | CAST IRON | 90.2 | 9.1 | H | 167 | 6309 | 6308 | 22.28 |
| | 1770 | 230/460 | 215JM | JMQP-32 | CAST IRON | 91.7 | 24/12 | H | 167 | 6309 | 6308 | 22.28 |
| | 1770 | 575 | 215JM | JMPP-32 | CAST IRON | 91.7 | 9.6 | H | 167 | 6309 | 6308 | 22.28 |
| | 1180 | 230/460 | 256JM | JMQP-33 | CAST IRON | 91 | 25.6/12.8 | H | 293 | 6309 | 6309 | 26.5 |
| | 1180 | 575 | 256JM | JMPP-33 | CAST IRON | 91 | 10.2 | H | 293 | 6309 | 6309 | 26.5 |
| 15 | 3510 | 230/460 | 215JM | JMQP-36S | CAST IRON | 91 | 34.4/17.2 | G | 162 | 6309 | 6309 | 22.28 |
| | 3510 | 575 | 215JM | JMPP-36S | CAST IRON | 91 | 13.8 | G | 162 | 6308 | 6308 | 22.28 |
| | 3545 | 230/460 | 254JM | JMQP-36 | CAST IRON | 91 | 34.4/17.2 | G | 286 | 6309 | 6309 | 24.7 |
| | 3545 | 575 | 254JM | JMPP-36 | CAST IRON | 91 | 13.8 | G | 286 | 6309 | 6309 | 24.7 |
| | 1770 | 230/460 | 254JM | JMQP-37 | CAST IRON | 92.4 | 36.4/18.2 | G | 297 | 6309 | 6309 | 24.7 |
| | 1770 | 575 | 254JM | JMPP-37 | CAST IRON | 92.4 | 14.6 | G | 297 | 6309 | 6309 | 24.7 |
| | 1180 | 230/460 | 284JM | JMQP-38 | CAST IRON | 91.7 | 38/19 | G | 363 | 6311 | 6311 | 27.47 |
| | 1180 | 575 | 284JM | JMPP-38 | CAST IRON | 91.7 | 15.2 | G | 363 | 6311 | 6311 | 27.47 |
| 20 | 3540 | 230/460 | 256JM | JMQP-41 | CAST IRON | 91 | 46/23 | G | 315 | 6309 | 6309 | 26.5 |
| | 3540 | 575 | 256JM | JMPP-41 | CAST IRON | 91 | 18.4 | G | 315 | 6309 | 6309 | 26.5 |
| | 1760 | 230/460 | 256JM | JMQP-42 | CAST IRON | 93 | 48.4/24.2 | G | 315 | 6309 | 6309 | 26.5 |
| | 1760 | 575 | 256JM | JMPP-42 | CAST IRON | 93 | 19.1 | G | 315 | 6309 | 6309 | 26.5 |



PREMIUM DESIGN B NEMA 12-12

CLOSE COUPLED PUMP MOTORS JM STYLE | CAST IRON

CONSTRUCTION RIGID BASE TEFC TOTALLY ENCLOSED FAN COOLED



| HP | FL RPM | VOLTS | FRAME | CAT NO. | CONSTRUCTION | NOM EFF. | F.L. AMPS | CODE | WT (Lbs) | DE BRG | ODE BRG | "C" Dimension (Inch) |
|----|--------|---------|-------|----------|--------------|----------|------------|------|----------|--------|---------|----------------------|
| 25 | 3540 | 230/460 | 256JM | JMQP-46S | CAST IRON | 91.7 | 55/27.5 | G | 365 | 6309 | 6309 | 26.5 |
| | 3540 | 575 | 256JM | JMPP-46S | CAST IRON | 91.7 | 22 | G | 365 | 6309 | 6309 | 26.5 |
| | 3540 | 230/460 | 284JM | JMQP-46 | CAST IRON | 91.7 | 57/28.5 | G | 385 | 6311 | 6311 | 27.47 |
| | 3540 | 575 | 284JM | JMPP-46 | CAST IRON | 91.7 | 22.8 | G | 385 | 6311 | 6311 | 27.47 |
| | 1775 | 230/460 | 284JM | JMQP-47 | CAST IRON | 93.6 | 60/30 | G | 392 | 6311 | 6311 | 27.47 |
| | 1775 | 575 | 284JM | JMPP-47 | CAST IRON | 93.6 | 24 | G | 392 | 6311 | 6311 | 27.47 |
| 30 | 3530 | 230/460 | 286JM | JMQP-51 | CAST IRON | 91.7 | 69/34.5 | G | 409 | 6311 | 6311 | 28.97 |
| | 3530 | 575 | 286JM | JMPP-51 | CAST IRON | 91.7 | 18.4 | G | 409 | 6311 | 6311 | 28.97 |
| | 1775 | 230/460 | 286JM | JMQP-52 | CAST IRON | 93.6 | 70.6/35.3 | G | 418 | 6311 | 6311 | 28.97 |
| | 1775 | 575 | 286JM | JMPP-52 | CAST IRON | 93.6 | 28.2 | G | 418 | 6311 | 6311 | 28.97 |
| 40 | 3545 | 230/460 | 286JM | JMQP-56S | CAST IRON | 92.4 | 90/45 | G | 435 | 6311 | 6311 | 28.97 |
| | 3545 | 575 | 286JM | JMPP-56S | CAST IRON | 92.4 | 36 | G | 435 | 6311 | 6311 | 28.97 |
| | 3545 | 230/460 | 324JM | JMQP-56 | CAST IRON | 92.4 | 91/45.5 | G | 486 | 6312 | 6312 | 30.05 |
| | 3545 | 575 | 324JM | JMPP-56 | CAST IRON | 92.4 | 36.4 | G | 486 | 6312 | 6312 | 30.05 |
| | 1780 | 230/460 | 324JM | JMQP-57 | CAST IRON | 94.1 | 93.2/46.6 | G | 519 | 6312 | 6312 | 30.05 |
| | 1780 | 575 | 324JM | JMPP-57 | CAST IRON | 94.1 | 37.3 | G | 519 | 6312 | 6312 | 30.05 |
| 50 | 3545 | 230/460 | 326JM | JMQP-61 | CAST IRON | 93 | 116.2/58.1 | G | 548 | 6312 | 6312 | 31.55 |
| | 3545 | 575 | 326JM | JMPP-61 | CAST IRON | 93 | 46.4 | G | 548 | 6312 | 6312 | 31.55 |

PREMIUM DESIGN B NEMA 12-12

CLOSE COUPLED PUMP MOTORS JP STYLE | CAST IRON

CONSTRUCTION RIGID BASE TEFC TOTALLY ENCLOSED FAN COOLED



| HP | FL RPM | VOLTS | FRAME | CAT NO. | CONSTRUCTION | NOM EFF. | F.L. AMPS | CODE | WT (Lbs) | DE BRG | ODE BRG | "C" Dimension (Inch) |
|-----|--------|---------|-------|----------|--------------|----------|-----------|------|----------|--------|---------|----------------------|
| 2 | 1745 | 230/460 | 145JP | JPQP-12 | CAST IRON | 86.5 | 6/3 | L | 56 | 6206 | 6205 | 20.30 |
| | 1745 | 575 | 145JP | JPPP-12 | CAST IRON | 86.5 | 2.4 | L | 56 | 6206 | 6205 | 20.30 |
| 3 | 1760 | 230/460 | 182JP | JPQP-17 | CAST IRON | 89.5 | 7.6/3.8 | H | 97 | 6208 | 6306 | 21.55 |
| | 1760 | 575 | 182JP | JPPP-17 | CAST IRON | 89.5 | 3 | H | 97 | 6208 | 6306 | 21.55 |
| 5 | 1755 | 230/460 | 184JP | JPQP-22 | CAST IRON | 89.5 | 13.6/6.8 | H | 112 | 6208 | 6306 | 22.55 |
| | 1755 | 575 | 184JP | JPPP-22 | CAST IRON | 89.5 | 5.4 | H | 112 | 6208 | 6306 | 22.55 |
| 7.5 | 1770 | 230/460 | 213JP | JPQP-27 | CAST IRON | 91.7 | 18.4/9.2 | H | 150 | 6309 | 6308 | 24.65 |
| | 1770 | 575 | 213JP | JPPP-27 | CAST IRON | 91.7 | 7.4 | H | 150 | 6309 | 6308 | 24.65 |
| 10 | 3525 | 230/460 | 215JP | JPQP-31 | CAST IRON | 90.2 | 22.8/11.4 | H | 167 | 6309 | 6308 | 26.15 |
| | 3525 | 575 | 215JP | JPPP-31 | CAST IRON | 90.2 | 9.1 | H | 167 | 6309 | 6308 | 26.15 |
| | 1770 | 230/460 | 215JP | JPQP-32 | CAST IRON | 91.7 | 24/12 | F | 167 | 6309 | 6308 | 26.15 |
| | 1770 | 575 | 215JP | JPPP-32 | CAST IRON | 91.7 | 9.6 | F | 167 | 6309 | 6308 | 26.15 |
| 15 | 3510 | 230/460 | 215JP | JPQP-36S | CAST IRON | 91 | 34.4/17.2 | G | 162 | 6309 | 6308 | 26.15 |
| | 3510 | 575 | 215JP | JPPP-36S | CAST IRON | 91 | 13.8 | G | 162 | 6309 | 6308 | 26.15 |
| | 3545 | 230/460 | 254JP | JPQP-36 | CAST IRON | 91 | 34.4/17.2 | G | 286 | 6309 | 6309 | 27.58 |
| | 3545 | 575 | 254JP | JPPP-36 | CAST IRON | 91 | 13.8 | G | 286 | 6309 | 6309 | 27.58 |

